



## Modular Cooking Range Line thermaline 90 - Freestanding Gas French Top, 1 Side, H=700

ITEM # \_\_\_\_\_

MODEL # \_\_\_\_\_

NAME # \_\_\_\_\_

SIS # \_\_\_\_\_

AIA # \_\_\_\_\_



589581 (MCLIEAJDPO)

Gas French Top, one-side  
operated - freestanding

### Short Form Specification

Item No. \_\_\_\_\_

Unit constructed according to DIN 18860\_2 with 20 mm drop nose top and 70 mm recessed plinth. Internal frame for heavy duty sturdiness in stainless steel. 2 mm top in 1.4301 (AISI 304). Flat surface construction, easily cleanable. THERMODUL connection system enables seamless worktop when units are connected and avoids soil penetrating. Large surface cooking plate made with durable cast iron, allows the use of various sizes of pans. Central gas burner with optimized combustion, flame failure device and protected pilot light. Center of the plate can reach max. 550°C while decreasing outwards, thus allowing temperature gradients to satisfy different cooking needs. Electrical ignition powered by battery with thermocouple for added safety. Safety thermostat and thermostatic control. Metal knobs with embedded hygienic silicon "soft" grip enable easier handling and cleaning.

IPX4 water resistant certification.

Configuration: Freestanding, One-side operated.

### Main Features

- Durable cast iron cooking plate, easy to clean.
- Central burner with optimized combustion, flame failure device and protected pilot light.
- Pans can easily be moved from one area to another without lifting.
- Safety thermostat and thermostatic control.
- Various sizes of pans can be used at the same time due to large surface area with no intermediate sectors.
- All major components may be easily accessed from the front.
- THERMODUL connection system creates a seamless work top when units are connected to each other thus avoiding soil penetrating vital components and facilitating the removal of units in case of replacement or service.
- Metal knobs with embedded hygienic "soft-touch" grip for easier handling and cleaning. The special design of the controls prevents infiltration of liquids or soil into vital components.
- Large visible digital display manufactured in tempered glass to resist heat and chemicals, showing temperatures or power settings. The display also shows on/off status of the appliance and on/off status of the heating elements.
- Electrical ignition powered by battery with thermocouple for added safety.
- The center of the plate can reach a maximum temperature of 550 °C while decreasing outwards.

### Construction

- 2 mm top in 1.4301 (AISI 304).
- Unit constructed according to DIN 18860\_2 with 20 mm drop nose top and 70 mm recessed plinth.
- Flat surface construction with minimal hidden areas to easily clean all surfaces
- IPx4 water protection.
- Internal frame for heavy duty sturdiness in stainless steel.

APPROVAL: \_\_\_\_\_

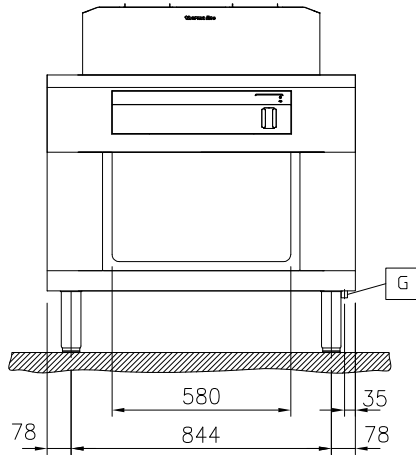


Experience the Excellence  
[www.electroluxprofessional.com](http://www.electroluxprofessional.com)

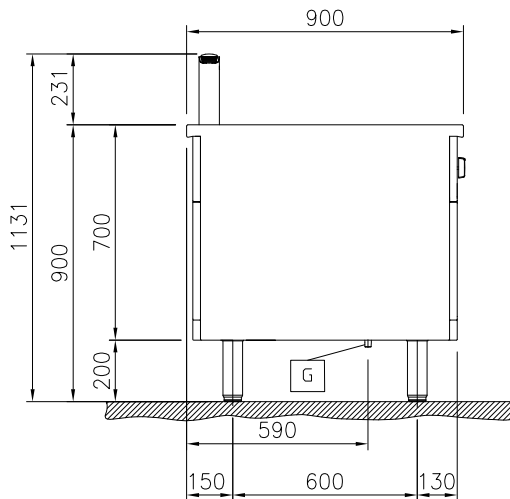
**Optional Accessories**

- |  |            |                          |   |
|--|------------|--------------------------|---|
| • Connecting rail kit, 900mm   | PNC 912502 | <input type="checkbox"/> | <ul style="list-style-type: none"> <li>• Stainless steel side panel, 900x700mm, freestanding <input type="checkbox"/></li> <li>• Portioning shelf, 1000mm width <input type="checkbox"/></li> <li>• Stainless steel front kicking strip, 1000mm width <input type="checkbox"/></li> <li>• Stainless steel side kicking strip left and right, freestanding, 900mm width <input type="checkbox"/></li> <li>• Stainless steel side kicking strip left and right, back-to-back, 1810mm width <input type="checkbox"/></li> <li>• Stainless steel plinth, freestanding, 1000mm width <input type="checkbox"/></li> <li>• Connecting rail kit: modular 90 (on the left) to ProThermetic tilting (on the right), ProThermetic stationary (on the left) to ProThermetic tilting (on the right) <input type="checkbox"/></li> <li>• Connecting rail kit: modular 80 (on the right) to ProThermetic tilting (on the left), ProThermetic stationary (on the right) to ProThermetic tilting (on the left) <input type="checkbox"/></li> <li>• Endrail kit, flush-fitting, left <input type="checkbox"/></li> <li>• Endrail kit, flush-fitting, right <input type="checkbox"/></li> <li>• Endrail kit (12.5mm) for thermaline 90 units, left <input type="checkbox"/></li> <li>• Endrail kit (12.5mm) for thermaline 90 units, right <input type="checkbox"/></li> <li>• Stainless steel side panel, left, H=700 <input type="checkbox"/></li> <li>• Stainless steel side panel, right, H=700 <input type="checkbox"/></li> <li>• Insert profile d=900 <input type="checkbox"/></li> <li>• Perforated shelf for warming cabinets and cupboard bases (one-side operated TL80-85-90 and two-side operated for TL80) <input type="checkbox"/></li> <li>• Endrail kit, (12.5mm), for back-to-back installation, left <input type="checkbox"/></li> <li>• Endrail kit, (12.5mm), for back-to-back installation, right <input type="checkbox"/></li> <li>• Endrail kit, flush-fitting, for back-to-back installation, left <input type="checkbox"/></li> <li>• Endrail kit, flush-fitting, for back-to-back installation, right <input type="checkbox"/></li> <li>• Side reinforced panel only in combination with side shelf, for freestanding units <input type="checkbox"/></li> <li>• Side reinforced panel only in combination with side shelf, for back-to-back installations, left <input type="checkbox"/></li> <li>• Side reinforced panel only in combination with side shelf, for back-to-back installation, right <input type="checkbox"/></li> <li>• Shelf fixation for TL80-85-90 one-side operated, TL80 two-side operated <input type="checkbox"/></li> <li>• Stainless steel dividing panel, 900x700mm, (it should only be used between Electrolux Professional thermaline Modular 90 and thermaline C90) <input type="checkbox"/></li> </ul> |
| • Stainless steel side panel, 900x700mm, freestanding  | PNC 912512 | <input type="checkbox"/> |   |
| • Portioning shelf, 1000mm width   | PNC 912528 | <input type="checkbox"/> |   |
| • Stainless steel front kicking strip, 1000mm width  | PNC 912636 | <input type="checkbox"/> |   |
| • Stainless steel side kicking strip left and right, freestanding, 900mm width   | PNC 912657 | <input type="checkbox"/> |   |
| • Stainless steel side kicking strip left and right, back-to-back, 1810mm width  | PNC 912663 | <input type="checkbox"/> |   |
| • Stainless steel plinth, freestanding, 1000mm width   | PNC 912960 | <input type="checkbox"/> |   |
| • Connecting rail kit: modular 90 (on the left) to ProThermetic tilting (on the right), ProThermetic stationary (on the left) to ProThermetic tilting (on the right) | PNC 912975 | <input type="checkbox"/> |   |
| • Connecting rail kit: modular 80 (on the right) to ProThermetic tilting (on the left), ProThermetic stationary (on the right) to ProThermetic tilting (on the left) | PNC 912976 | <input type="checkbox"/> |   |
| • Endrail kit, flush-fitting, left   | PNC 913111 | <input type="checkbox"/> |   |
| • Endrail kit, flush-fitting, right  | PNC 913112 | <input type="checkbox"/> |   |
| • Endrail kit (12.5mm) for thermaline 90 units, left   | PNC 913202 | <input type="checkbox"/> |   |
| • Endrail kit (12.5mm) for thermaline 90 units, right  | PNC 913203 | <input type="checkbox"/> |   |
| • Stainless steel side panel, left, H=700  | PNC 913222 | <input type="checkbox"/> |   |
| • Stainless steel side panel, right, H=700   | PNC 913223 | <input type="checkbox"/> |   |
| • Insert profile d=900   | PNC 913232 | <input type="checkbox"/> |   |
| • Perforated shelf for warming cabinets and cupboard bases (one-side operated TL80-85-90 and two-side operated for TL80)   | PNC 913234 | <input type="checkbox"/> |   |
| • Endrail kit, (12.5mm), for back-to-back installation, left   | PNC 913251 | <input type="checkbox"/> |   |
| • Endrail kit, (12.5mm), for back-to-back installation, right  | PNC 913252 | <input type="checkbox"/> |   |
| • Endrail kit, flush-fitting, for back-to-back installation, left  | PNC 913255 | <input type="checkbox"/> |   |
| • Endrail kit, flush-fitting, for back-to-back installation, right   | PNC 913256 | <input type="checkbox"/> |   |
| • Side reinforced panel only in combination with side shelf, for freestanding units  | PNC 913260 | <input type="checkbox"/> |   |
| • Side reinforced panel only in combination with side shelf, for back-to-back installations, left  | PNC 913275 | <input type="checkbox"/> |   |
| • Side reinforced panel only in combination with side shelf, for back-to-back installation, right  | PNC 913276 | <input type="checkbox"/> |   |
| • Shelf fixation for TL80-85-90 one-side operated, TL80 two-side operated  | PNC 913281 | <input type="checkbox"/> |   |
| • Stainless steel dividing panel, 900x700mm, (it should only be used between Electrolux Professional thermaline Modular 90 and thermaline C90)                       | PNC 913672 | <input type="checkbox"/> |   |

Front

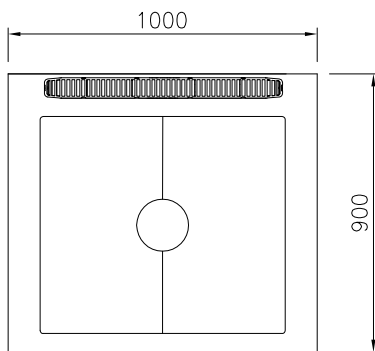


Side



EQ = Equipotential screw  
 G = Gas connection

Top


**Gas**

Gas Power:	12.5 kW
Gas Type Option:	
Gas Inlet:	1/2"

**Key Information:**

External dimensions, Width:	1000 mm
External dimensions, Depth:	900 mm
External dimensions, Height:	700 mm
Storage Cavity Dimensions (width):	680 mm
Storage Cavity Dimensions (height):	330 mm
Storage Cavity Dimensions (depth):	740 mm
Net weight:	152 kg
Configuration:	On Base; One-Side Operated
Solid top usable surface (width):	790 mm
Solid top usable surface (depth):	700 mm